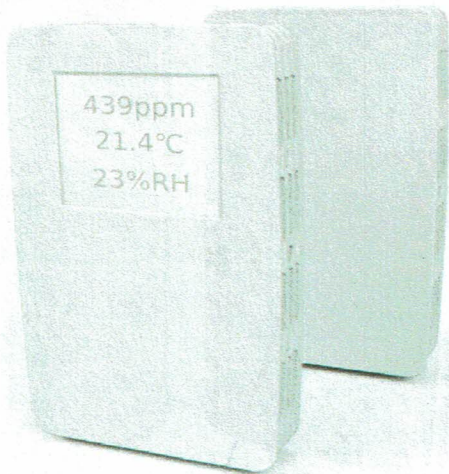


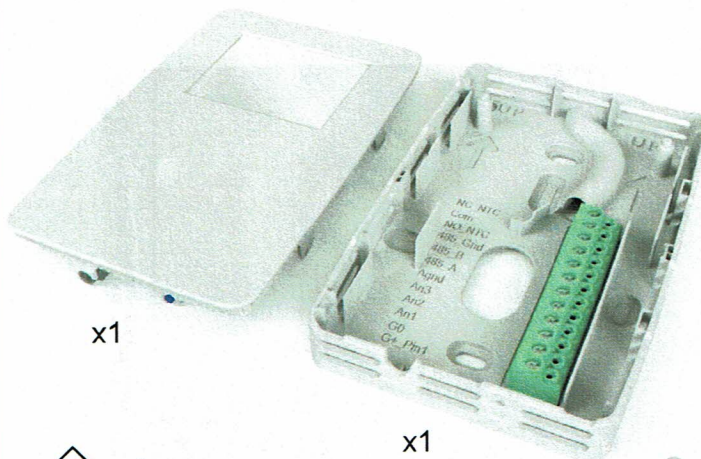
Installation manual

**tSENSE (Disp) T RH RL**

CO<sub>2</sub>-, temperature- and relative humidity transmitter



User manual



x1

x1

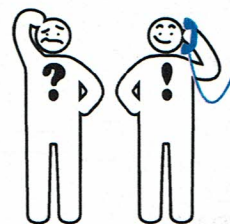
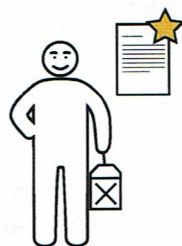


x2



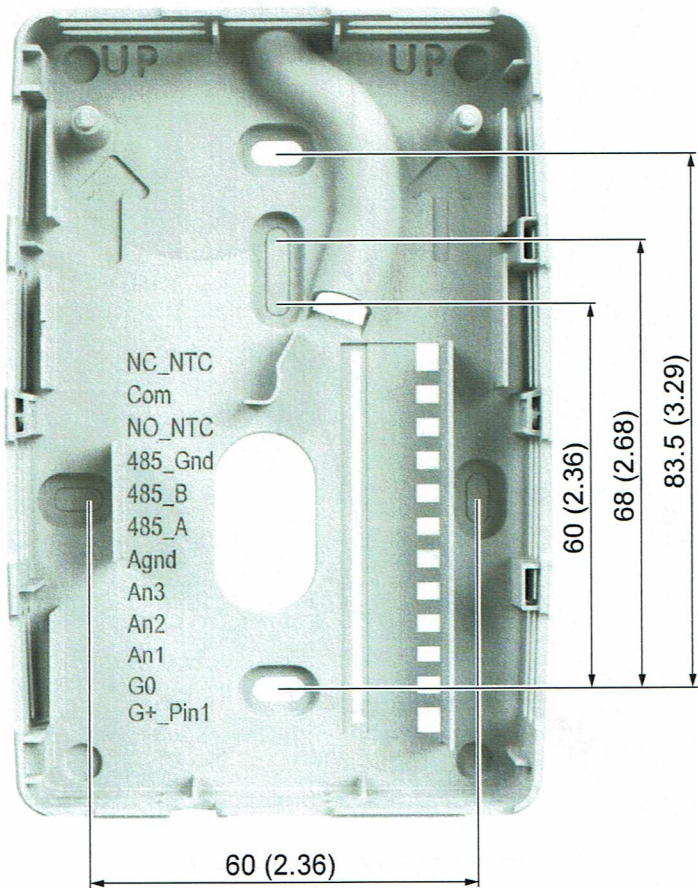
**NOTE:**

The same ground reference has to be used for the *tSENSE (Disp)* unit and for the control system!



**SenseAir®**  
Local representative

IMA286  
Edition 6



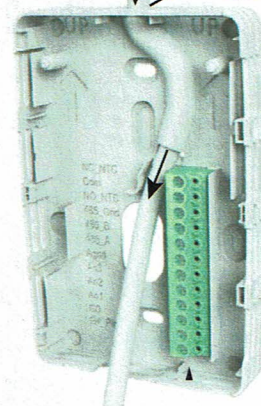
mm  
(inches)

**1**

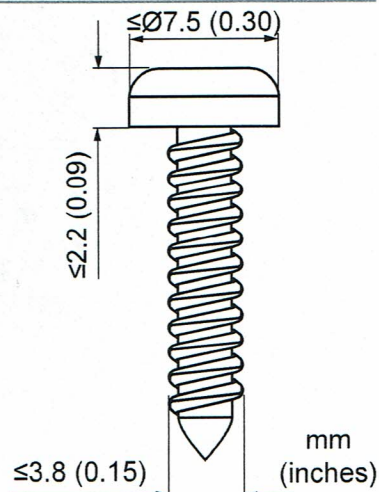
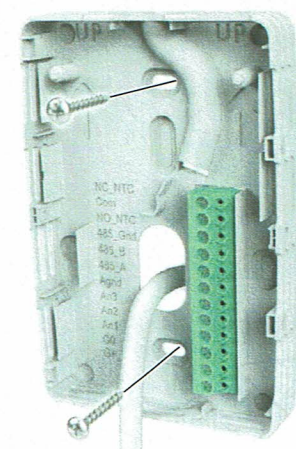
Alt. 1



Alt. 2

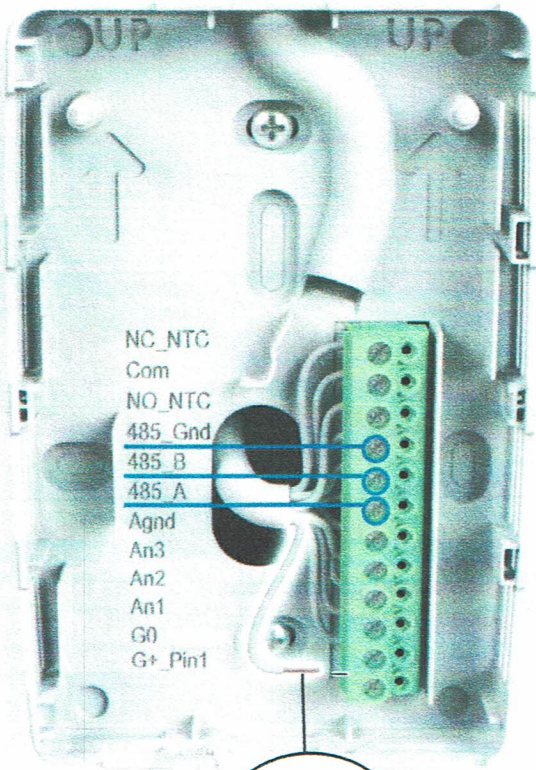


**2**

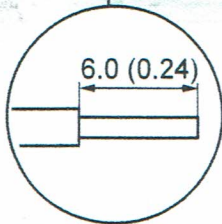


mm  
(inches)

3

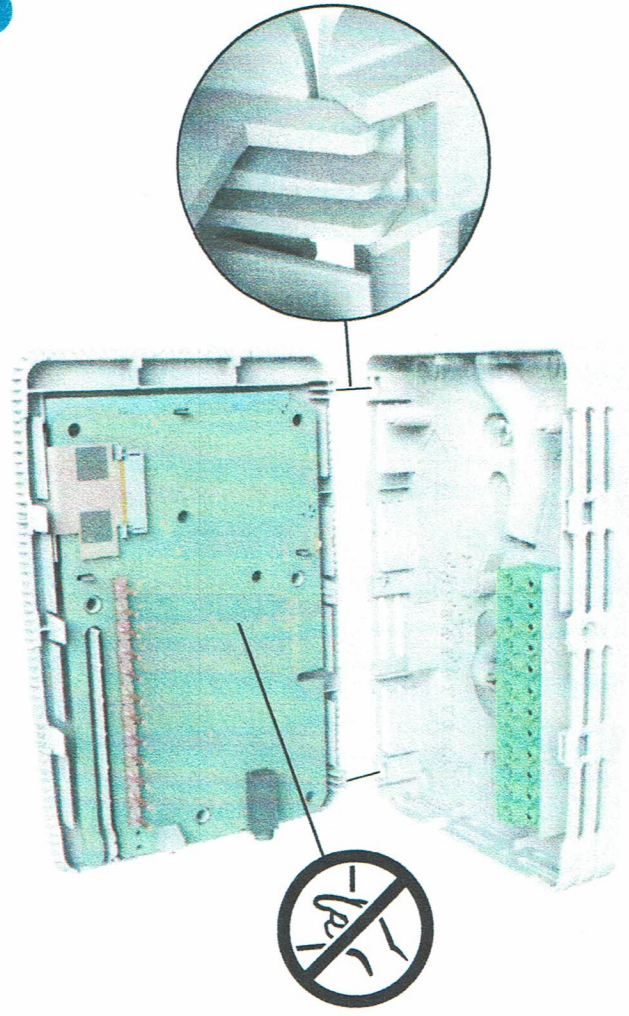


- RL/NC\_NTC (Temp)
- RL/Com
- RL/NO\_NTC (Temp)
- RS485\_Gnd/MB/BAC
- RS485\_B (-)/MB/BAC
- RS485\_A (+)/MB/BAC

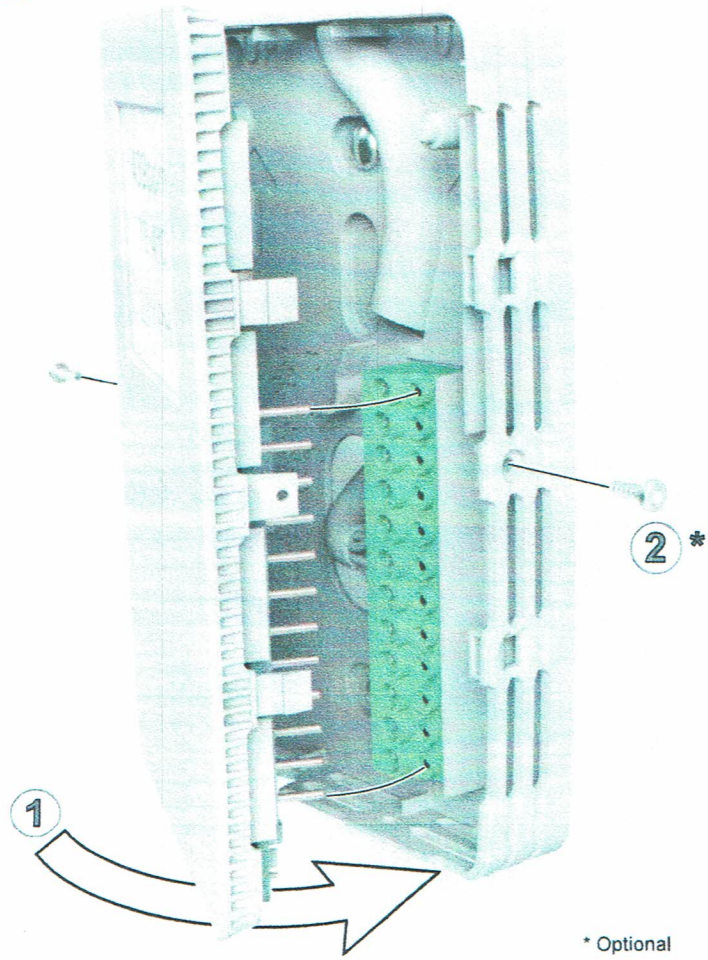


mm (inches)

4

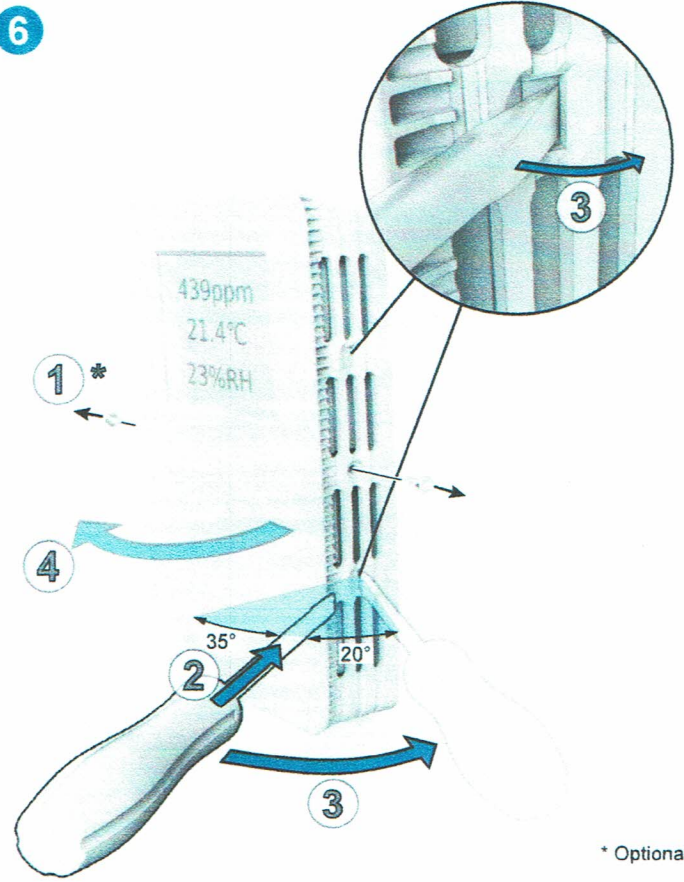


5



\* Optional

6



\* Optional

**SenseAir AB (headquarter)**  
 Stationsgatan 12, Box 96, 820 60 Delsbo, Sweden  
 Phone: +46-(0)653 - 71 77 70  
[www.senseair.com](http://www.senseair.com)